



# 125 Class XBR XTRA-BRITE™ LED Beacons for NEMA 4X Applications

The Edwards 125 Class XBR XTRA-BRITE™ LED beacons are UL and cUL listed dual mode signaling devices, available in two versions, Steady-On/Flashing (125XBRM) and Steady-On/Lightburst (125XBRZ). Both versions feature a corrosion resistant Type 4X enclosure and can be panel or conduit mounted. The base is manufactured from a 33% glass filled nylon, providing high resistance to heat and high chemical resistivity. The lens is made of shatter resistant polycarbonate. Both the Steady-On/Flashing LED and Steady-On/Lightburst LED beacons are available with either a black or gray base, and amber, blue, green, red or white lens.

Both the 125XBRM and 125XBRZ beacons are dual mode devices, maximizing application flexibility while reducing inventory costs. The 125XBRM beacons ship from the factory in Steady-On mode, with the built-in option of switching to Flashing mode (65 fpm) through an additional wire connection. The 125XBRZ beacon ships in Steady-On mode, and when ultra visibility is critical to the application, can be easily switched to Lightburst mode.

The 125 Class XBR LED beacons can be mounted on 1/2" or 3/4" NPT conduit using a 1/2" internal or 3/4" external conduit hub that comes with the unit. It can also be panel-mounted using the mounting gasket provided with the unit. When panel-mounting the 125 Class XBR LED, the surface and construction details of the panel must be taken into consideration to insure the integrity of the outdoor, NEMA 4X rating is fully maintained.

## 125 Class XBR LED Features

- Available in 24V DC or 120V AC
- Available with gray or black base
- Option for panel or conduit mounting
- Available in dual mode Steady-On/Flashing LED or Steady-On/Lightburst LED versions
- Available with amber, blue, green, red or white lens
- -31°F to 150°F (-35° to 66°C) operating temperature
- Protective wire guard available, Cat. No. 125GRD



3233 W Hunting Park Avenue, Philadelphia PA 19132-1845  
(800) 79-ROYAL (215) 221-1200 fax (215) 221-1201  
advisors@royalelectric.com www.royalelectric.com

**WE GET IT**  
24/7 Emergency Material Access

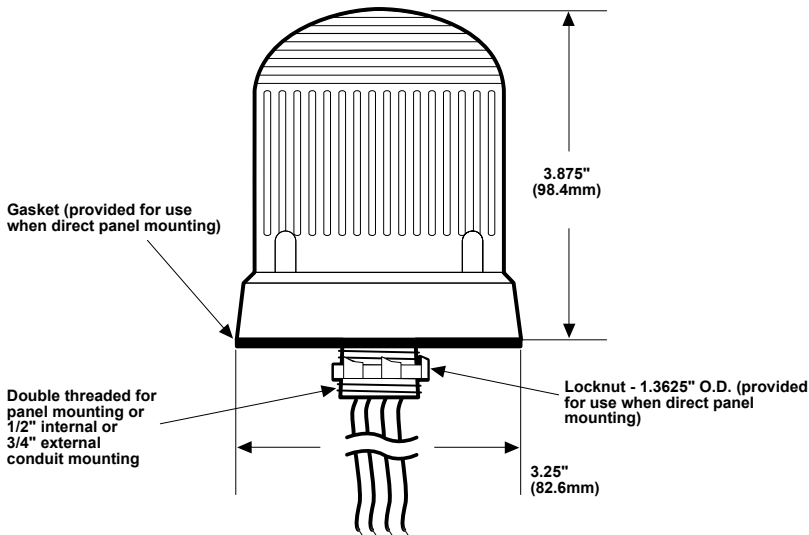
## 125 Class XBR LED Beacons

Description	Operation	Cat. No.	Base Color	LED Colors	Projected LED Life (L70)**	Operating Voltage	Current	Replacement Lens
Dual Mode XBR LED Beacons in NEMA 4X Enclosure	Steady-On/ Flashing LED	125XBRM*24D	Gray	Amber, Blue, Green, Red, White	148,000 hours	24V DC	0.215 A	125L*
		125XBRM*120A	Gray	Amber, Blue, Green, Red, White	148,000 hours	120V AC 50/60 Hz	0.108 A	125L*
		125XBRM*24DB	Black	Amber, Blue, Green, Red, White	148,000 hours	24V DC	0.215 A	125L*
		125XBRM*120AB	Black	Amber, Blue, Green, Red, White	148,000 hours	120V AC 50/60 Hz	0.108 A	125L*
	Steady-On/ Lightburst	125XBRZ*24D	Gray	Amber, Blue, Green, Red, White	148,000 hours	24V DC	0.215 A	125L*
		125XBRZ*120A	Gray	Amber, Blue, Green, Red, White	148,000 hours	120V AC 50/60 Hz	0.108 A	125L*
		125XBRZ*24DB	Black	Amber, Blue, Green, Red, White	148,000 hours	24V DC	0.215 A	125L*
		125XBRZ*120AB	Black	Amber, Blue, Green, Red, White	148,000 hours	120V AC 50/60 Hz	0.108 A	125L*

\*Letter in this position designates lens/LED color: A - amber, B - blue, G - green, R - red, or W - white

\*\*LED Manufacturer's Median Projected LED Life for LUXEON Rebel LEDs (L70 at 85°C and T<sub>junction</sub> 98°C). Actual LED life will vary inversely with ambient temperature, voltage, driver current, junction temperature and duty-cycle at which the signaling device is operated. Please refer to <http://www.philipslumileds.com/pdfs/WP15.pdf>.

## Dimensional Drawings



## Agency Approvals



3233 W Hunting Park Avenue, Philadelphia PA 19132-1845  
(800) 79-ROYAL (215) 221-1200 fax (215) 221-1201  
advisors@royalelectric.com www.royalelectric.com

WE GET IT  
24/7 Emergency Material Access

Data Sheet ES001-0109 Issue 1  
Not to be used for installation purposes.  
Page 2 of 2